

Board-level Industrial Cameras

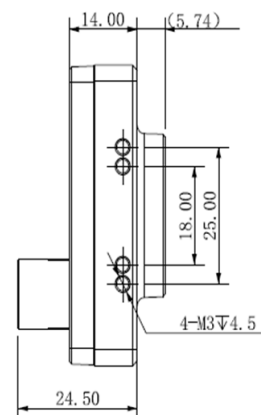
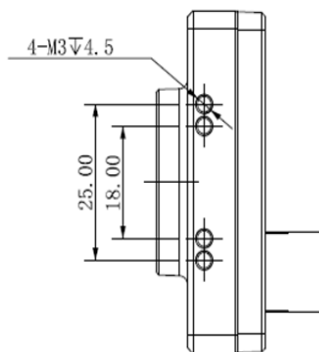
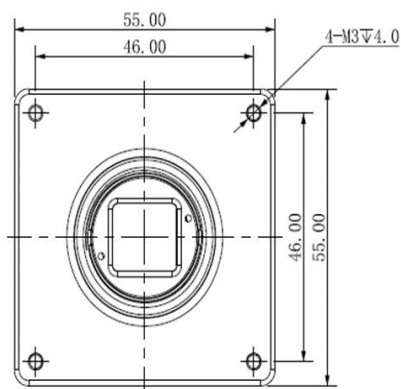
AB3600MG000E

Product Features

- Gigabit Ethernet interface, providing 1Gbps bandwidth with a maximum transmission distance of 100m;
- 128MB on-board cache for data transmission or image resend;
- Support Software Trigger/Hardware Trigger/Free Run Mode;
- Sharpness/Denoising/Gamma/LUT/BlackLevel Correction/TargetBrightness/Contrast etc.;
- Support multiple image data formats output/ROI/Binning/Mirror, etc.;
- Conform to GigE Vision V2.0 protocol and GenICam standard;
- DC 9V~24V wide voltage power supply;
- Conform to CE, FCC, RoHS;



Dimensions (mm)



Technical Specifications

Model Name	AB3600MG000E
Sensor	IMX178
Sensor Type	1/1.8"CMOS
Shutter	Rolling
Resolution	3072 x 2048
Frame Rate	18
Bit Depth	12
Mono/Color	Mono
Pixel Size	2.4X2.4
Pixel	6.2MP
S/N Ratio	38dB
WDR	60dB
Image Format	Mono8/10/10Packed/12/12Packed
Binning	Support
ROI	Support
Gain	1~32
Gamma	from 0 to 4, support LUT
Exposure Time	25μS~1S
Sync Mode	Software Trigger/Hardware Trigger/Free Run Mode
User Setting	Support two sets of user-defined configurations
Cache	128MB
Port	GigE
GPIO	8-pin 1.25 spacing row plug interface, 1x Opto-isolated input, 1x Opto-isolated output, 1x GPIO input
Lens Mount	C-mount
Power Supply	DC 9V~24V power supply via 8-pin 1.25 spacing row plug interface
Power Consumption	12V≈3.4W
Dimensions	55mm*55mm*14mm
Weight	80g
Working Environment	Storage: - 30°C~+80°C; Operation: - 30°C~+50°C

© 2021 IRAYPLE. All rights reserved. Design and specifications are subject to change without notice.
Pictures in the document are for reference only, and the actual product shall prevail.